



7864.N1.40703.03C

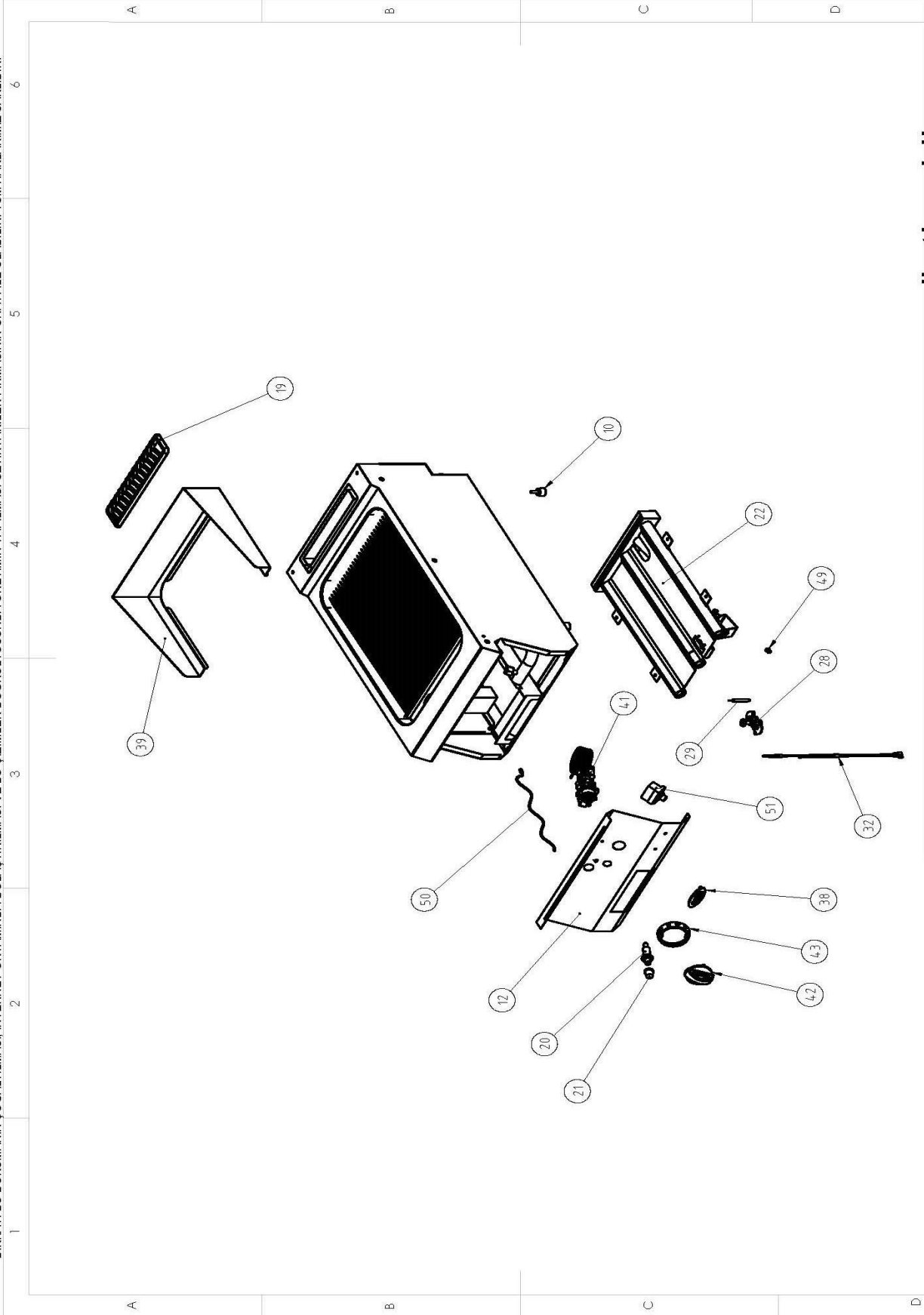
YEN 700 SET ÜSTÜ GR LL PLATE OLUKLU GAZLI 40*70*30-SERT KROM KAPLVersion No: V13.01

SPARE PART LIST

Spare Part ItemCode	Item name.	PictureId
6260.00002.05	ADJUSTABLE LEG M6	10
2864.N20.04000291.L.10	40 LİK GAZLI GRILL LİMITLİ - ON PANEL SACI	12
6260.00058.96	FLUE COVER CAST IRON WITH CERAMIC ENAMEL COATED FOR ALL 700&900	19
6267.00029.05	PIEZZO IGNITER	20
6226.00011.20	IGNITER COVER SILICONE	21
6267.00002.590	BURNER TUBE S/S FOR 700 SERIES GAS GRILL	22
6267.00023.05	PILOT BURNER ASSEMBLY LONG	28
6267.00024.08	SOCKET FOR THERMOCOUPLE BETWEEN SAFETY THERMOSTAT	32
2179.09028.01	LABEL FOR FRONT PANEL "ÖZT RYAK LER"	38
2864.N20.09880139.9.15	SPLASHGUARD FOR 40'S GRILLS	39
9099.0A65T.00	THERMOSTATIC GAS VALVE 100-300 C 25 ST	41
6260.00015.46	THERMOPLASTIC KNOB MAIN BODY WITH 8 mm INSERT	42
6260.00015.44	THERMOPLASTIC KNOB SCALE 100-300 C WITH LIGHTING POS.	43
2KLP.460.626700006.05	MAIN BURNER NOZZLE M8x0,75 ANY GAS TYPE	49
6267.00031.08	IGNITER CABLE 500mm L	50
6234.00001.26	SAFETY THERMOSTAT 365 C	51



DİKKAT: BU DÖKÜMANIN COĞALTILMASI VE BU ÇİZİMLER DOĞRULTUSUNDA ÜRETİMİN YAPILMASI ÖZTİRYAKILER FİRMASININ ONAYI İLE OLABİLİR. TÜM HAKLARIMIZ SAKLIDIR.



Öztiryakiler

OGG 4070 N C

RİSD	BİİM	İMZA	TARİHİ	MATERİAL	TOLERANS
ŞİZEN	T.ERDOĞAN		04.01.2013		DIN 7168
KONTROL	M.HACI		04.01.2013		ORTA
ONAY	M.HACI		04.01.2013		PARÇA ADI
					OGG 4070 N C
					T. RESİM NO
					OGG 4070 N C kısa platinli patlatilims servis ve imalat
					REVİZYON
					2
					ÖLÇEK
					1:1
					KALINLIK
					3x194,73
					TÜM ÖLÇÜLER mm ÇİNSİNDİR

Ar-Ge
TASARIM AŞAMASINDA

V13.01

RESİM ÜZERİNDEN ÖLÇÜ ALMAYINIZ! TUM ÖLÇÜLER mm ÇİNSİNDİR AND PRODUCE THE PRODUCT WITH ITS DRAWINGS WITH THE APPROVAL OF ÖZTİRYAKILER COMPANY. ALL RIGHTS RESERVED.